

CUSTOMER TECHNICAL MEMO # 220

Subject: ProGlide PRG006 & PRG016 Hole Caps

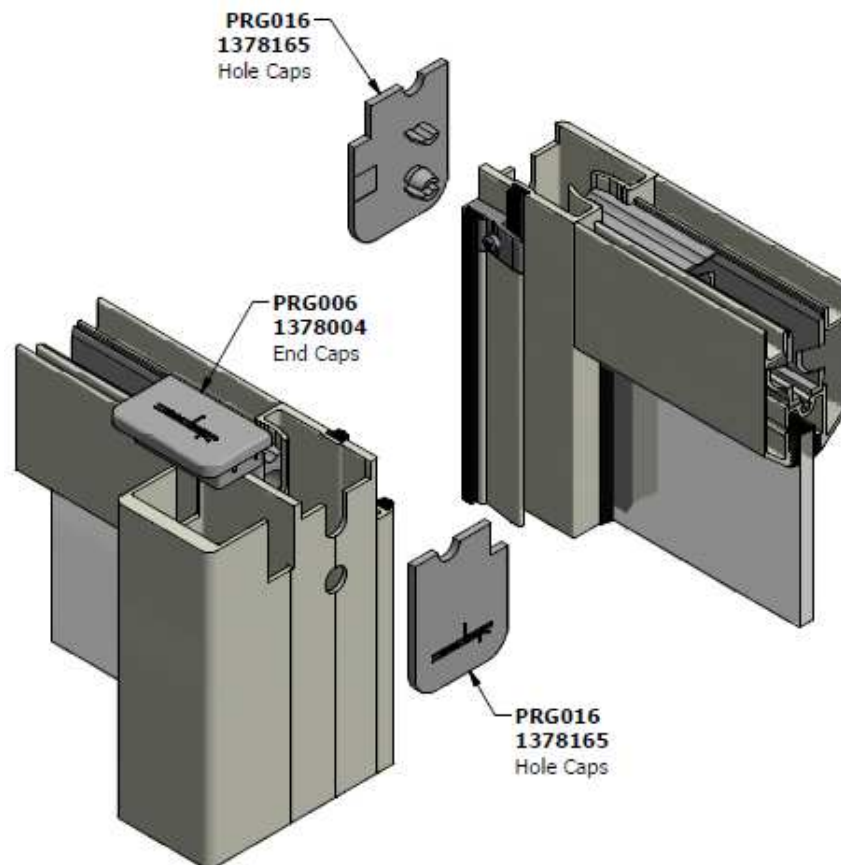
Date: April 2015

Hi All,

As part of our ongoing system development, our R&D team have now made available Interlock Hole Caps & End Caps for our ProGlide Sliding Door system.

These simple caps fit snug into the stiles and not only improve the performance of the doors, but also give the doors an even better aesthetic appeal.

These caps should be fitted at the top and bottom of all interlock stiles.



Item number	Item name	Finish
1378004	PRG006 PROGLIDE END CAP	BLACK - 034
1378165	PRG016 HOLE CAPS (2 PAIR)	BLACK - 034

Regards,
Product Development